

3000 Series Heavy-Duty Industrial Resolvers

Features

- Rugged Housing with IP65 Seal
- Standard +125°C Continuous Duty
- Corrosion Resistant
- Accuracy (arc min) ± 7
- Multi-speed Versions to Your Specs
- Withstands Shock to 200g, Vibration 40g
- Flange Mount MS Connector – 90 Degree (3000-01)
- Flange Mount MS Connector – Straight (3000-02)
- Shielded Bearings with Up to 10X the Life of Duplex Bearings



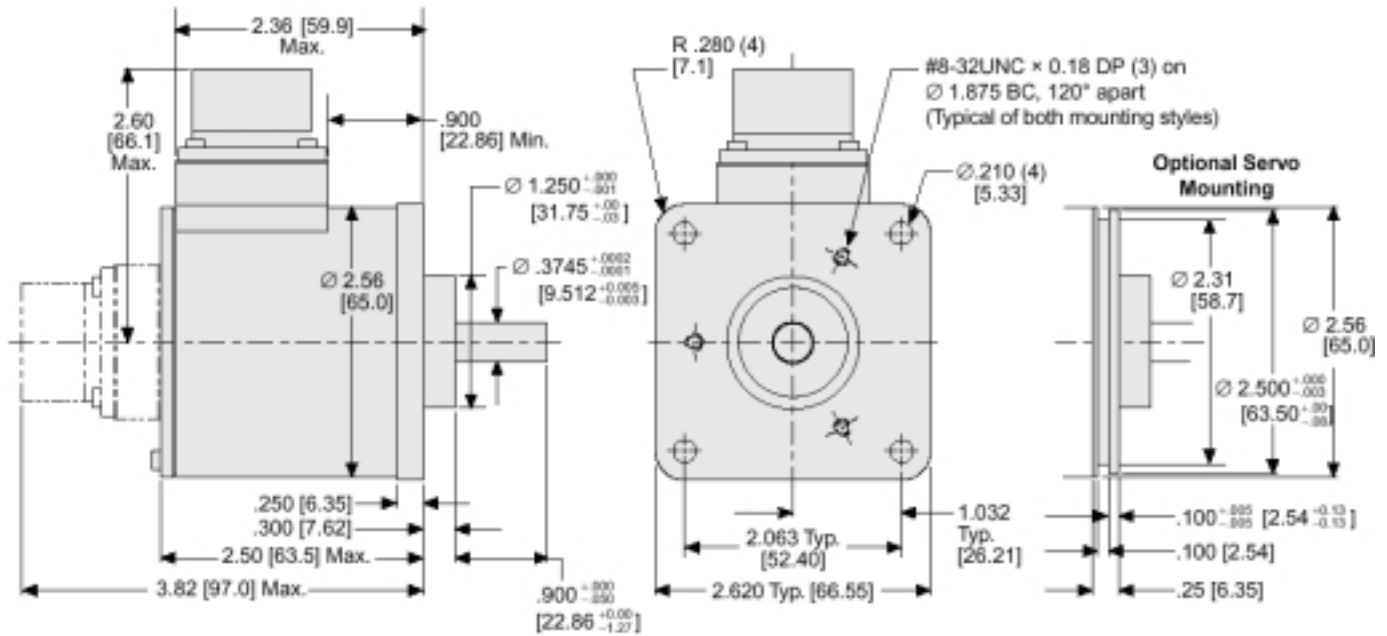
I²T brushless resolvers are designed for reliability in adverse operating conditions. Resolvers are the better choice over encoders for applications that involve very high temperature, vibration, and shock and/or dirty environments. Using this resolver will allow you to quickly recover cost by eliminating frequent downtime caused by less robust transducers. You can trust the resolver to operate reliably in even the worst industrial environments.

Unlike similar duplex-bearing packages, the resolver uses a front-and-rear bearing arrangement. This provides from two to three times the radial load bearing capacity and up to ten times the life of a package with duplex bearings. The increase in load bearing capacity applies equally to static, dynamic, and shock loading.

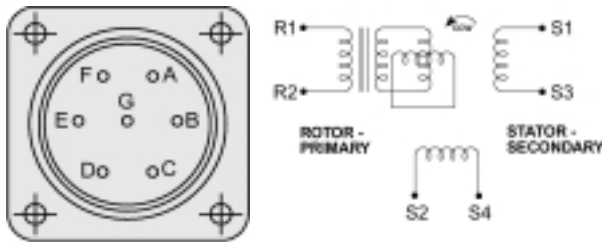
Specifications

- **Speed (No. Poles):** 1 (2)
- **Transformer Ratio (V in/V Out):** 0.470
- **Input Voltage (Vrms):** 4.25
- **Max. Current Input (mA):** 55
- **Reference Frequency (Hz):** 7000
- **Phase Shift (min.):** +4 \pm 3
- **Primary Winding:** Rotor
- **Inertia:** 0.0040 oz-in-sec²
- **Friction:** 2 oz-in (5 oz-in w/shaft seal)
- **Shaft Load (max.):** 40 lb (axial), 20 lb (radial)
- **Shaft Material:** 416 SS
- **Play (max.):** Radial: 0.0015 in @ 1 lb load; End: 0.005 in @ 5 lb load
- **Bearing Rating:** 277,000 hrs @ 10 lb axial and radial load at 1200 rpm

Resolver Dimensions (in/mm)

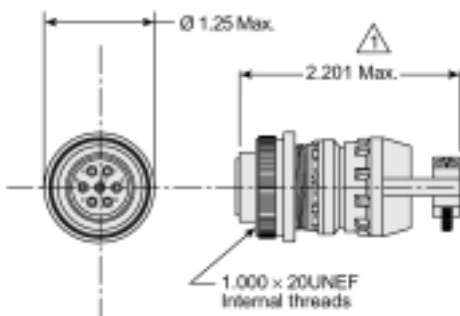


Connector Pin Outs



PIN	A	B	C	D	E	F	G
SIGNAL	R1	R2	S1	S3	S4	S2	Open

MS Style Mating Connector & Cable Assembly Pin Outs



PIN	A	B	C	D	E	F	G
Function	REF +	REF -	SIN +	SIN -	COS+	COS-	Open
Cable Lead	Lt. Green (R+)	Black (R-)	Red (S+)	Black (S-)	White (C+)	Black (C-)	